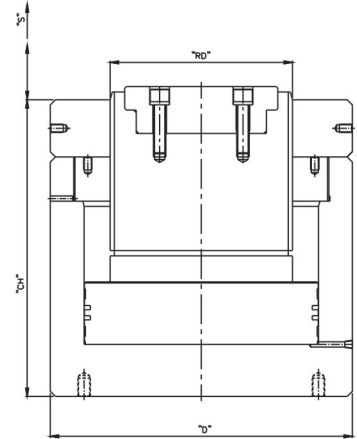


Threaded Ram, Load Return Hydraulic Jack (TLR-Series)

Capacity : 600-1000 tons Stroke : 100-150 mm Working : 700 bar (Max)

MODEL NO.	Capacity	Closed Ht. 'CH'	Stroke 'S'	Ram Dia 'RD'	Outer Dia 'D'	Oil volume	Approx Weight	Suitable Hand Pump
	tons.	mm.	mm.	mm.	mm.	cc.	kgs.	
TLR-600/100	600	460	100	280	440	9534	480	PHP-500/16*PP
TLR-600/150	600	510	150	280	440	14073	525	PHP-500/16*PP
TLR-800/100	800	490	100	300	510	12544	700	*PP
TLR-800/150	800	540	150	300	510	18516	760	*PP
TLR-1000/100	1000	555	100	350	570	17700	950	*PP
TLR-1000/150	1000	585	150	350	570	24652	1050	*PP



*PP-Power Pack

Features / Benefits :

- High strength, Heat treated alloy steel body. • Blackodised ram.
- Single acting load return, Threaded ram with mechanical safety lock-nut.
- Adequate gripping by grooved saddle. • High pressure long life seal.
- Bottom mounting holes for bolting.
- QCC with Plastic dust cap. Aluminum dust cap on Request.
- Customised higher capacity, strokes and tilting saddle available on request.
- Port Size 3/8" NPT.

Application :

These jacks are ideally used for lifting of girders, pile testing for bridges and building foundation, handling of heavy duty machineries, kiln lifting, steel fabrication, ship building where lifted load is kept for longer period.

