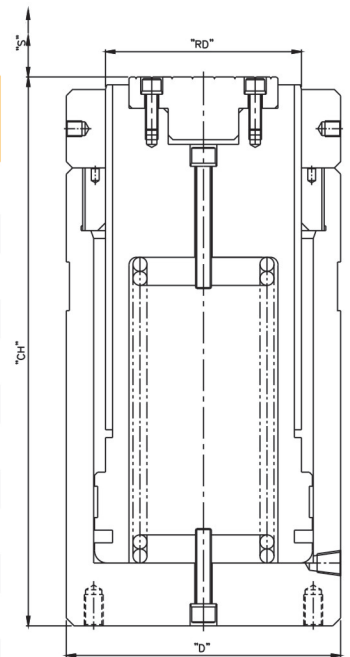


Threaded Ram, Spring Return Hydraulic Jack (LTS-Series)

Capacity : 10-500 tons Stroke : 50-150 mm Working : 700 bar (Max)

MODEL NO.	Capacity	Closed Ht. 'CH'	Stroke 'S'	Ram Dia 'RD'	Outer Dia 'D'	Oil volume	Approx Weight	Suitable Hand Pump
	tons.	mm.	mm.	mm.	mm.	cc.	kgs.	
LTS-10/50	10	160	50	40	65	80	3	PHP-200/2
LTS-10/100	10	210	100	40	65	164	4.5	PHP-200/2
LTS-10/150	10	260	150	40	65	243	5.5	PHP-200/2
LTS-15/50	15	170	50	45	70	119	4.2	PHP-200/2
LTS-15/100	15	220	100	45	70	247	5.0	PHP-200/2
LTS-15/150	15	270	150	45	70	366	6.0	PHP-200/2
LTS-20/50	20	180	50	55	80	116	6.0	PHP-200/2
LTS-20/100	20	230	100	55	80	324	7.0	PHP-200/2
LTS-20/150	20	280	150	55	80	480	8.0	PHP-200/3
LTS-25/50	25	200	50	65	90	192	8.0	PHP-200/2
LTS-25/100	25	250	100	65	90	404	10.0	PHP-200/3
LTS-25/150	25	300	150	65	90	596	11.5	PHP-200/3
LTS-30/50	30	200	50	70	100	276	10.0	PHP-200/2
LTS-30/100	30	250	100	70	100	528	12.0	PHP-200/3
LTS-30/150	30	300	150	70	100	779	14.5	PHP-200/3
LTS-50/50	50	215	50	85	130	432	23.0	PHP-200/3
LTS-50/100	50	265	100	85	130	870	21.5	PHP-500/6
LTS-50/150	50	315	150	85	130	1209	25.3	PHP-500/6
LTS-75/50	75	230	50	95	156	566	26.0	PHP-500/6
LTS-75/100	75	280	100	95	156	1188	26.4	PHP-500/6
LTS-75/150	75	330	150	95	156	1753	38.0	PHP-500/6
LTS-100/50	100	250	50	120	176	770	62.0	PHP-500/6
LTS-100/100	100	300	100	120	176	1616	45.0	PHP-500/6
LTS-100/150	100	350	150	120	176	2386	55.0	PHP-500/6
LTS-150/100	150	315	100	140	226	2383	80.0	PHP-500/6
LTS-150/150	150	365	150	140	226	3518	95.0	PHP-500/6
LTS-200/100	200	330	100	160	256	3300	110.0	PHP-500/12
LTS-200/150	200	380	150	160	256	4874	125.0	PHP-500/12
LTS-250/100	250	345	100	180	286	3991	150.0	PHP-500/12
LTS-250/150	250	395	150	180	286	5892	160.0	PHP-500/12
LTS-300/100	300	360	100	200	315	4746	190.0	PHP-500/12
LTS-300/150	300	410	150	200	315	7012	204.0	PHP-500/16
LTS-400/100	400	400	100	220	355	6465	252.0	PHP-500/20*PP
LTS-400/150	400	450	150	220	355	9544	285.0	PHP-500/20*PP
LTS-500/100	500	425	100	250	405	7925	373.0	PHP-500/20*PP
LTS-500/150	500	475	150	250	405	11699	406.0	PHP-500/20*PP



*PP-Powerpack

Features / Benefits :

- High strength, Heat treated alloy steel body. • Blackoxidised ram.
- High pressure long life seals. • Single acting spring return for smooth lowering. Threaded ram with mechanical safety lock-nut to sustain load on lock-nut for longer period.
- Bottom mounting holes for bolting. • Port Size 3/8" NPT.
- Adequate gripping by grooved saddle. • QCC with Plastic dust cap.
- Custom strokes and tilting saddle available on request. • Aluminum dust cap on request.

Application :

These jacks are an excellent choice for maintenance, ideal for wide range of applications at construction site, mills, kiln lifting in steel, cement & process plants railway workshops, power plants, transformer lifting and industrial maintenance where lifted load is kept for longer period.